

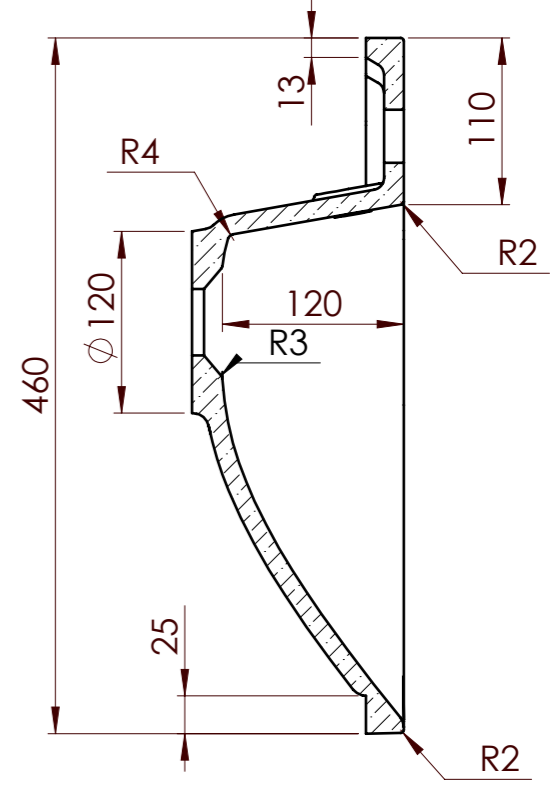
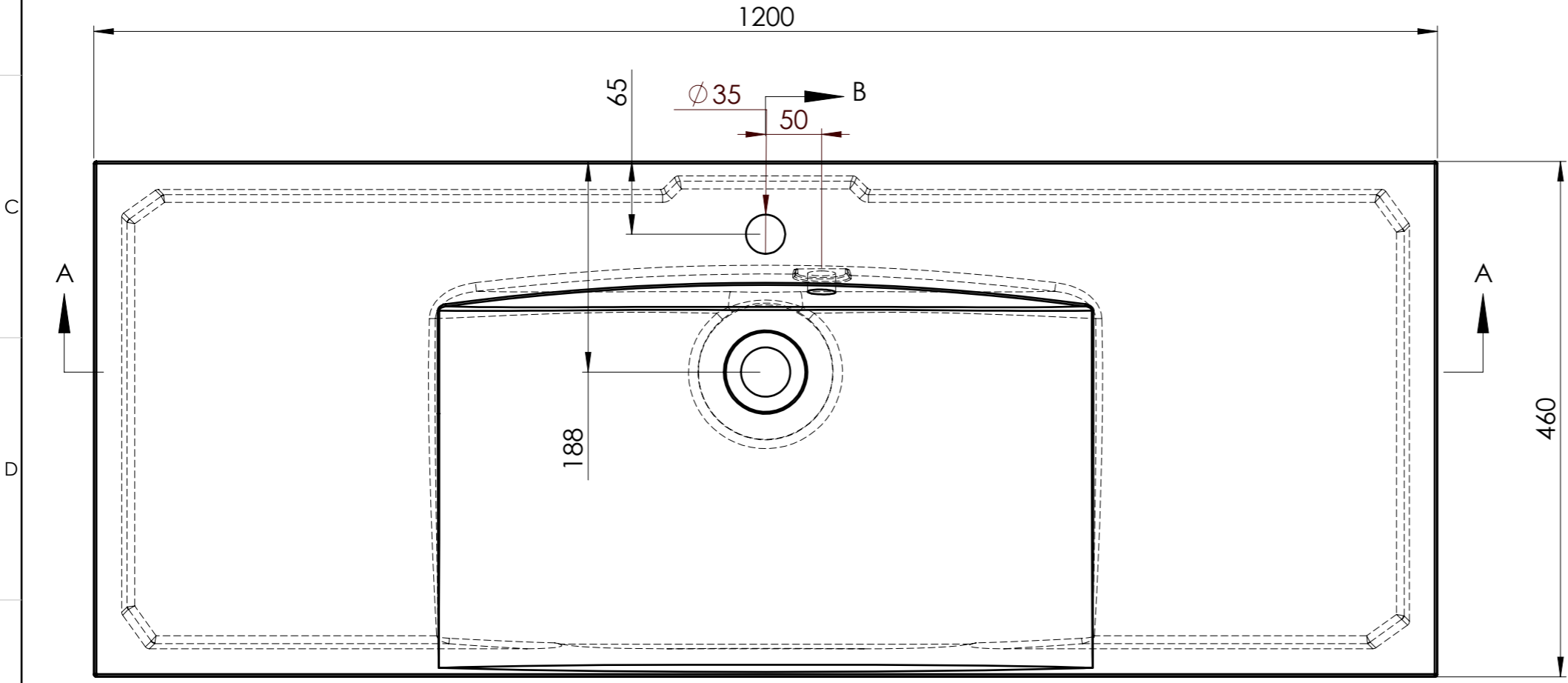
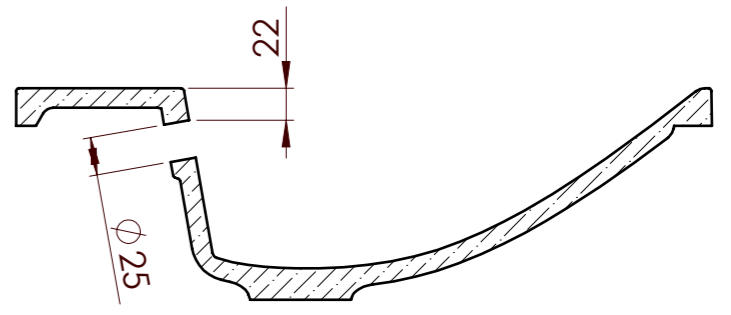
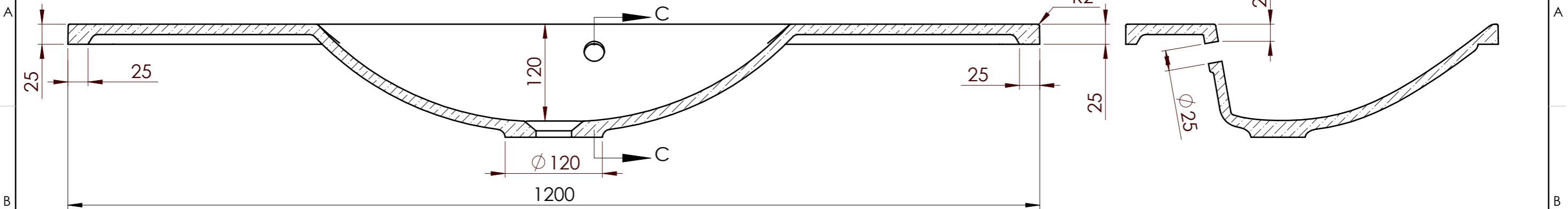
A-A (1 : 5)

Nr C-C (1 : 5)

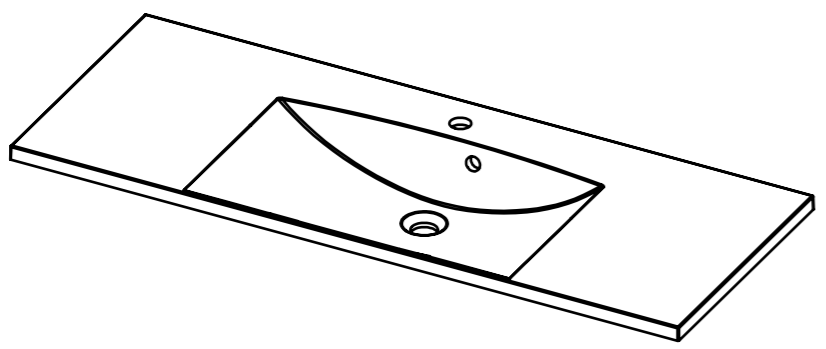
Ändring

Datum

Godk av



B-B (1 : 5)



Tolerance length	+3/-0 mm
Tolerance length granite	+1.5/-1.5 mm
Tolerance Taphole Location	+3/-3 mm
Tolerance overflowhole Location	+3/-3 mm
Tolerance plane bending	+1.5/-1.5 mm

Konstruerad Av DahmaniR	Ritad Av DahmaniR	Skapad Datum 2010-10-22	Godkänd Av DahmaniR	Tolerans Length (mm) +3/-0	Skala 1:10	
Projekt ID 2010	Kund MARMITE	Titel / Benämning AMELIA 1200C		MM Art.nr 6121271211xx	Rev 1 (1)	
Agare		Dimensions 1200 x 460 / 25		Client ID MM-STD		Blad 1 (1)



This document must not be copied without our written permission, and the contents thereof must not be imparted to a third party nor be used for any unauthorized purpose. Contravention will be prosecuted.