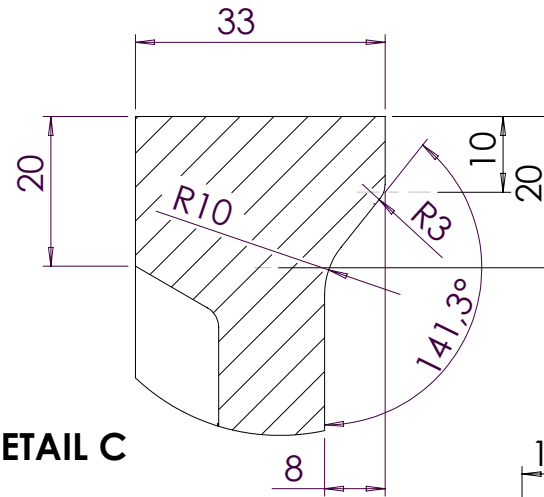
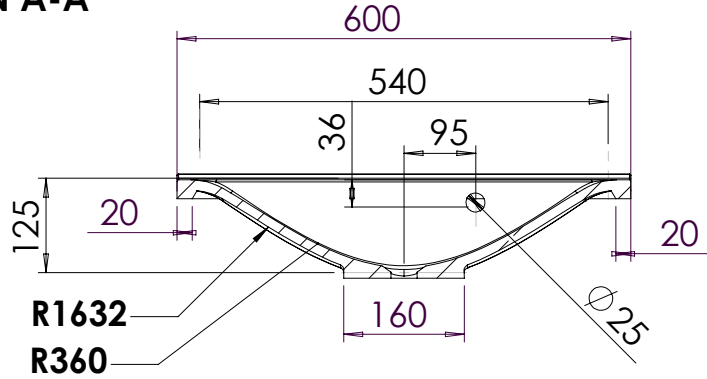
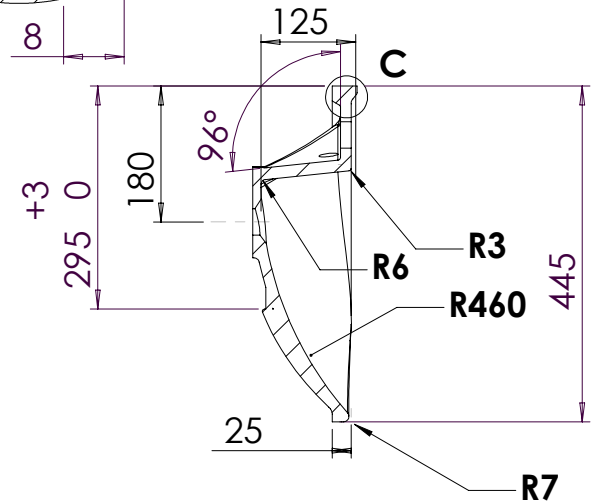
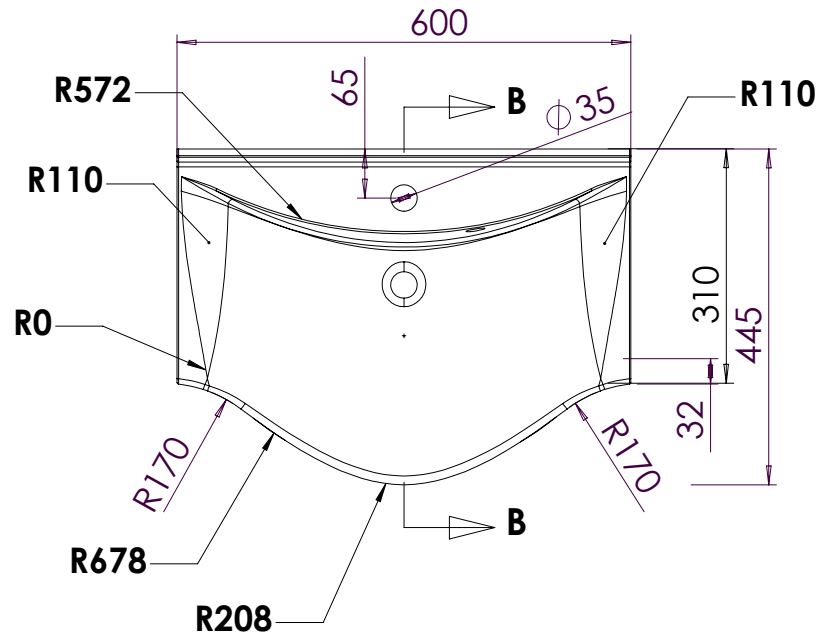


SECTION A-A



DETAIL C



SECTION B-B

Tolerance length	+3/-0 mm	Ritod	dalle	Konstr	DR	Skala	1:20	081222	Marmite	Flinamn	LUCY 600C		
Tolerance length granite	+1,5/-1,5 mm									ErsÖtter			
Tolerance taphole location	+3/-3 mm									LUCY 600 c			
Thickness edge	+1,5/-0 mm									6010020611xx		Revision	Revdat
Tolerance plane bending	+1,5/-1,5 mm									Ritning		1:3	