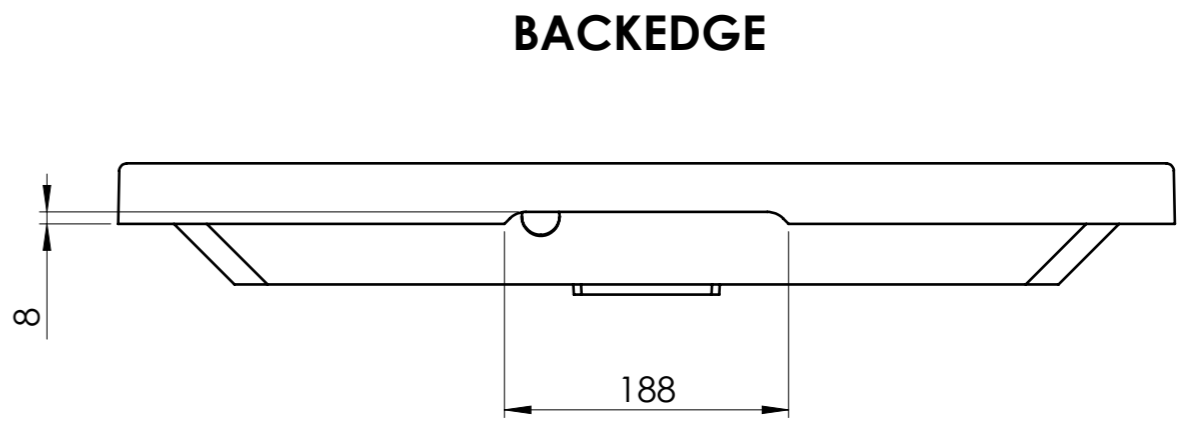
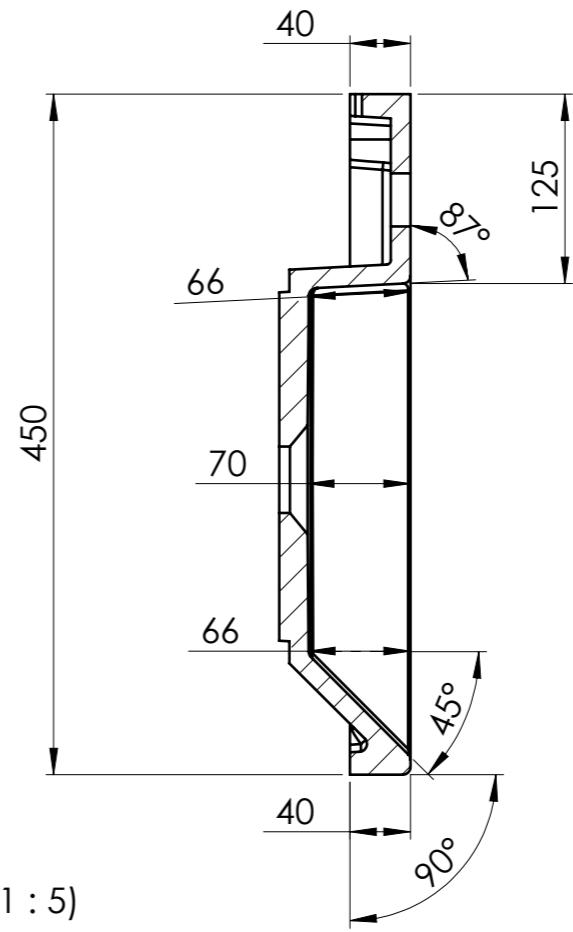
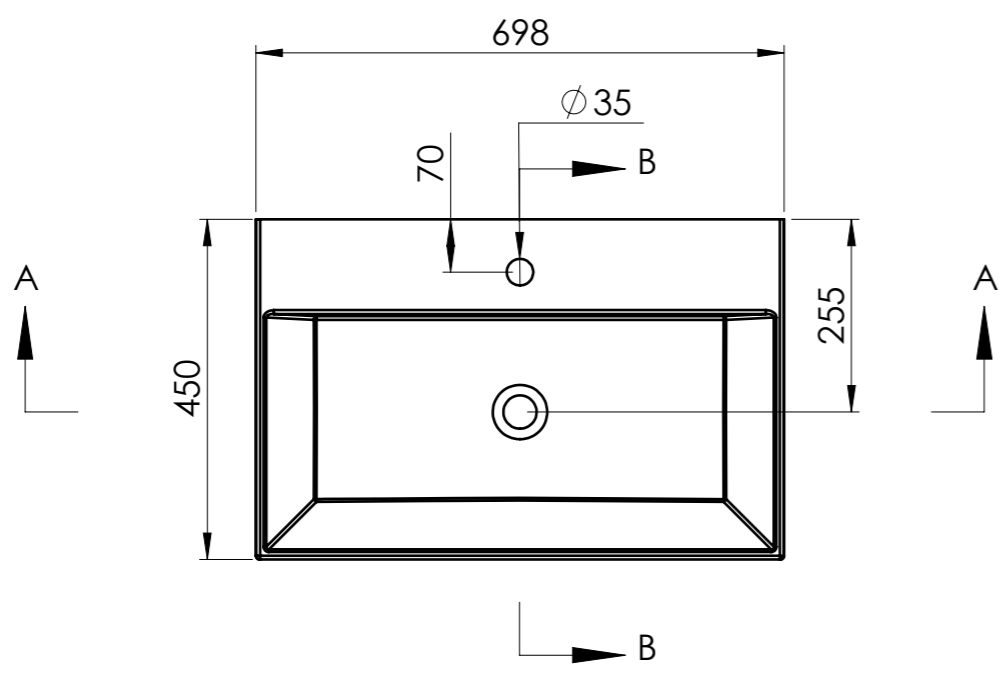


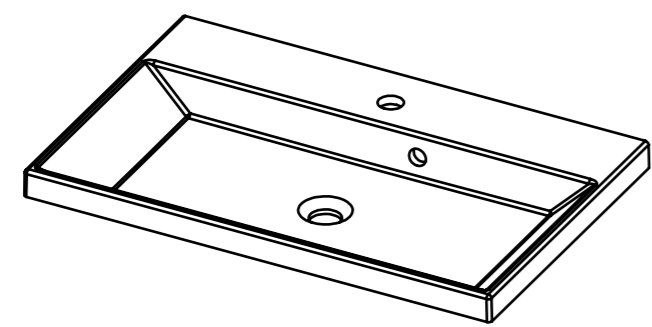
A-A (1 : 5)



BACKEDGE



B-B (1 : 5)



Tolerance length	+3/-0 mm
Tolerance length granite	+1.5/-1.5 mm
Tolerance Taphole Location	+3/-3 mm
Tolerance overflowhole Location	+3/-3 mm
Tolerance plane bending	+1.5/-1.5 mm

Konstruerad Av	Ritad Av	Skapad Datum	Godkänd Av	Tolerans Length (mm)	Skala	
Dahmani		091214		+3/-0	1:10	
Projekt ID	Kund	Titel / Benämning		LAURINE 698 C		
STD	MARMITE	MM Art.nr		6121040711xx		
Agare		Dimensions		698 X 450 / 40		
Client ID			Rev	Blad		
LAURINE				1 (3)		



This document must not be copied without our written permission, and the contents thereof must not be imparted to a third party nor be used for any unauthorized purpose. Contravention will be prosecuted.