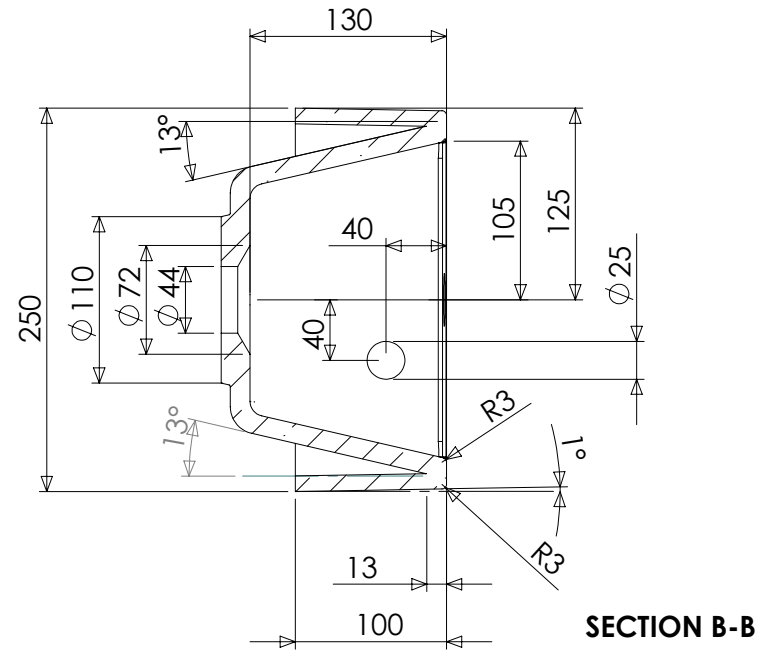
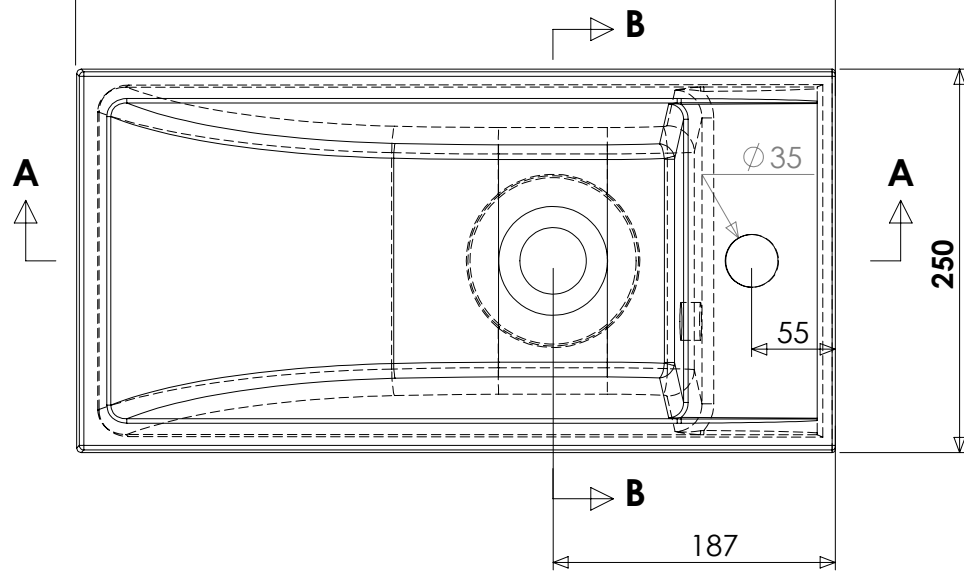
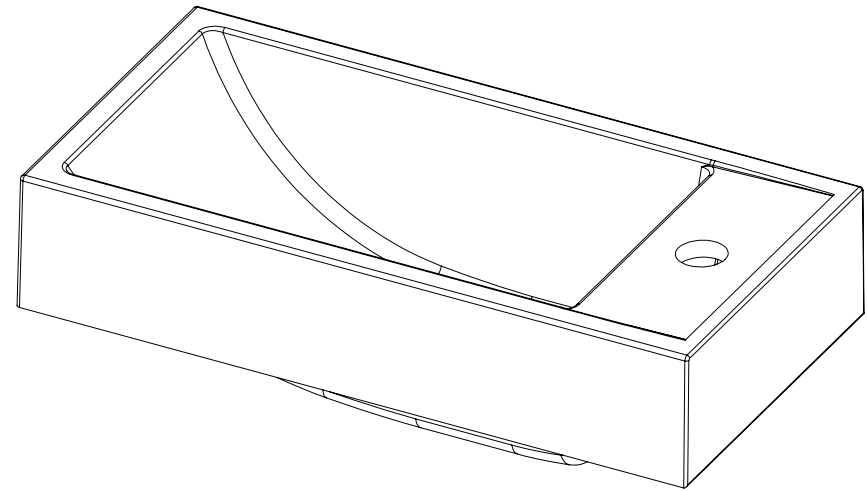
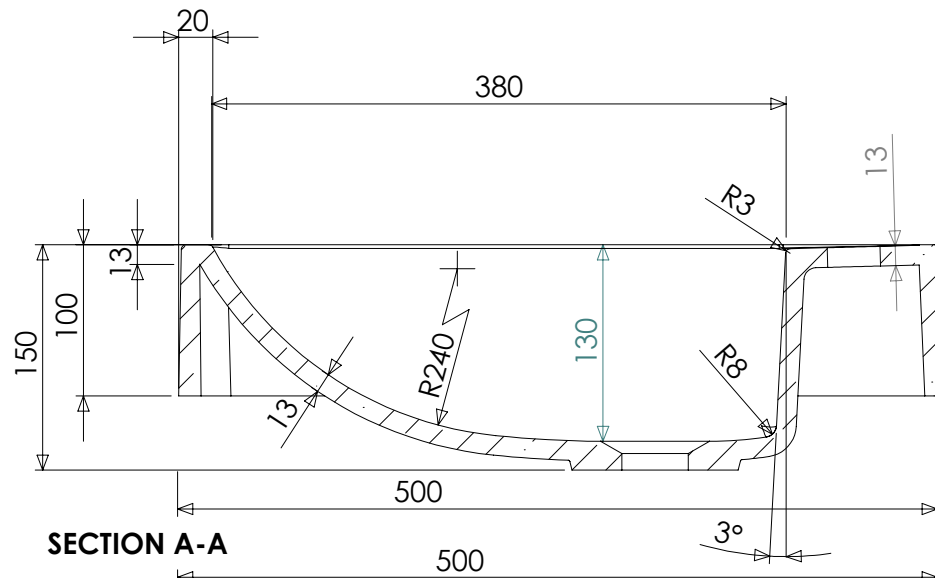



THE INFORMATION CONTAINED IN THIS DRAWING IS THE SOLE PROPERTY OF MUSCLE MACHINE AB.
 ANY REPRODUCTION IN PART OR AS A WHOLE WITHOUT THE WRITTEN PERMISSION OF MUSCLE MACHINE AB IS PROHIBITED.



Tolerance length	+3/-0 mm	DALLE	DR	081218	MARMITE	500c
Tolerance length granite	+1,5/-1,5 mm	Muscle Machine AB			MARTINA 500 c	
Tolerance taphole location	+3/-3 mm				6010460511xx	1:9
Variation overflowhole location	+3/-3 mm				500 x 250	
Tolerance plane bending	+1,5/-1,5 mm					