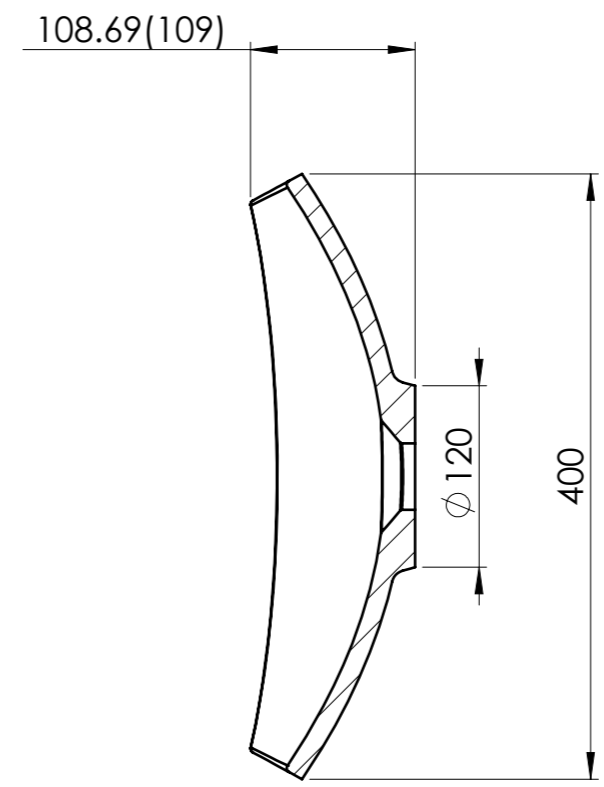
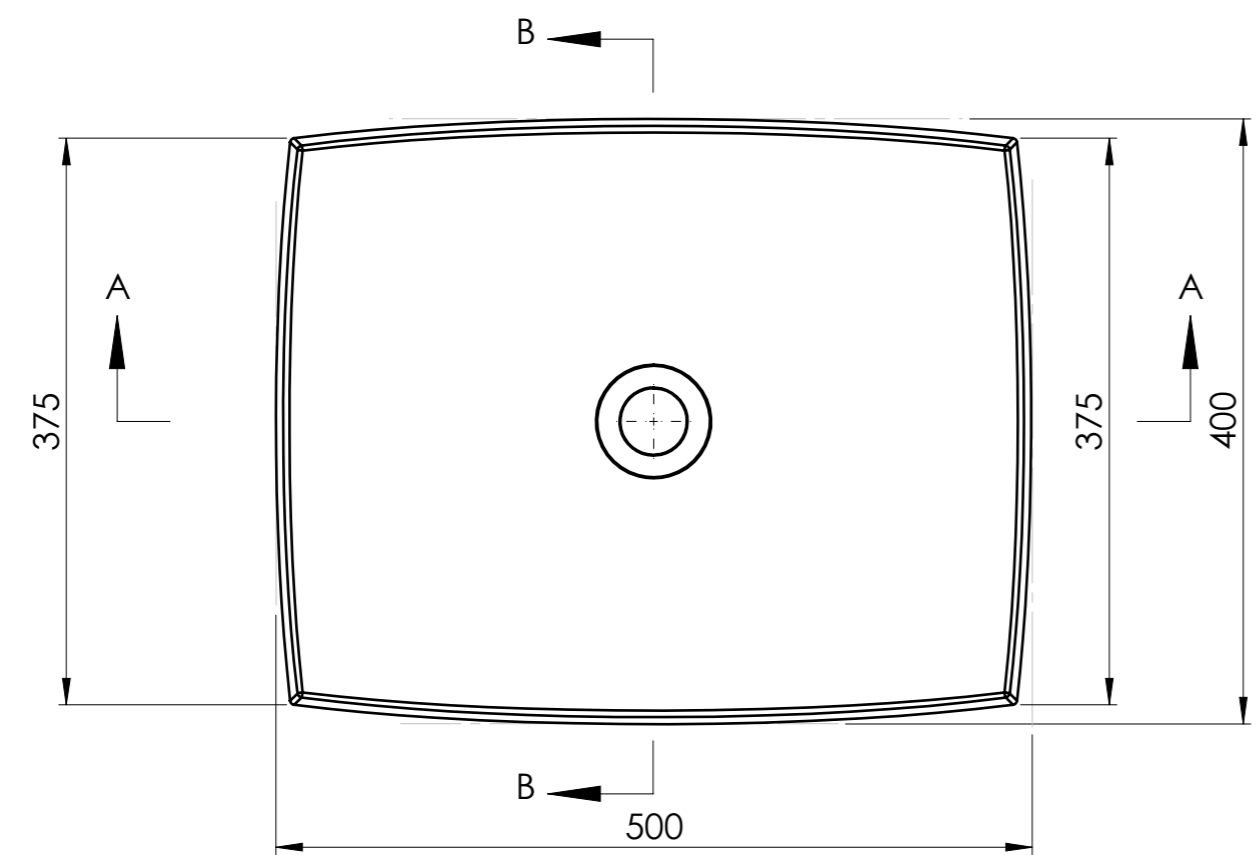
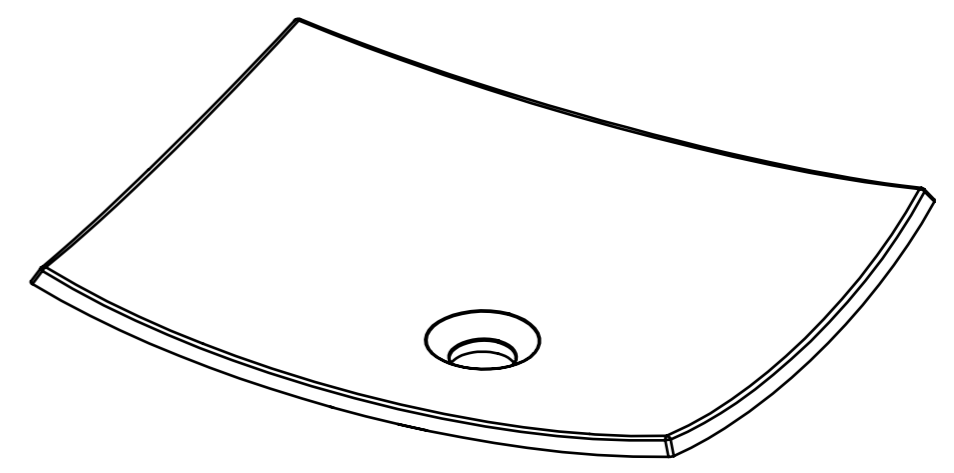
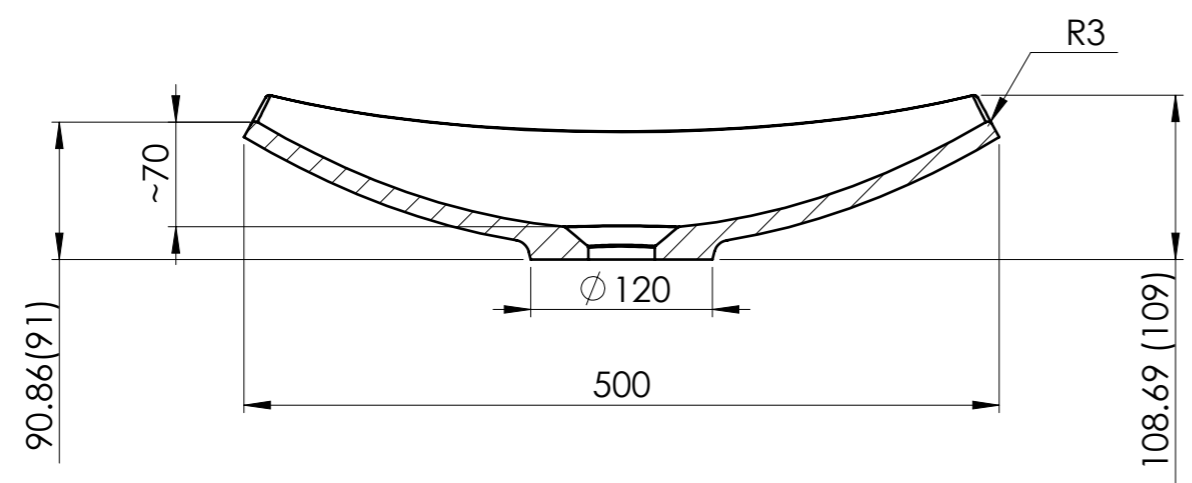


A-A



B-B

This document must not be copied without our written permission, and the contents thereof must not be imparted to a third party nor be used for any unauthorized purpose. Contravention will be prosecuted.

Tolerance length	+3/-0 mm	Konstruerad Av	Dahmani	Ritad Av		Skapad Datum	09-12-01	Godkänd Av		Tolerans Length (mm)	+3/-0	Skala	1:5	
Tolerance length granite	+1.5/-1.5 mm	Projekt ID	2009	Kund	MARMITE	Titel / Benämning NATURA 500 C								
Tolerance Taphole Location	+3/-3 mm	MM Art.nr 6010950510XX												
Tolerance overflowhole Location	+3/-3 mm	Dimensions 500 x 400												
Tolerance plane bending	+1.5/-1.5 mm	Client ID NATURA									Rev		Blad	1 (5)

